



CESAB

spec sheet

CESAB B600

2.0 – 3.5 tonne

2021 model

4.0 – 5.0 tonne

Electric counterbalanced trucks



ZERO
emissions

CESAB B620 – B625HL

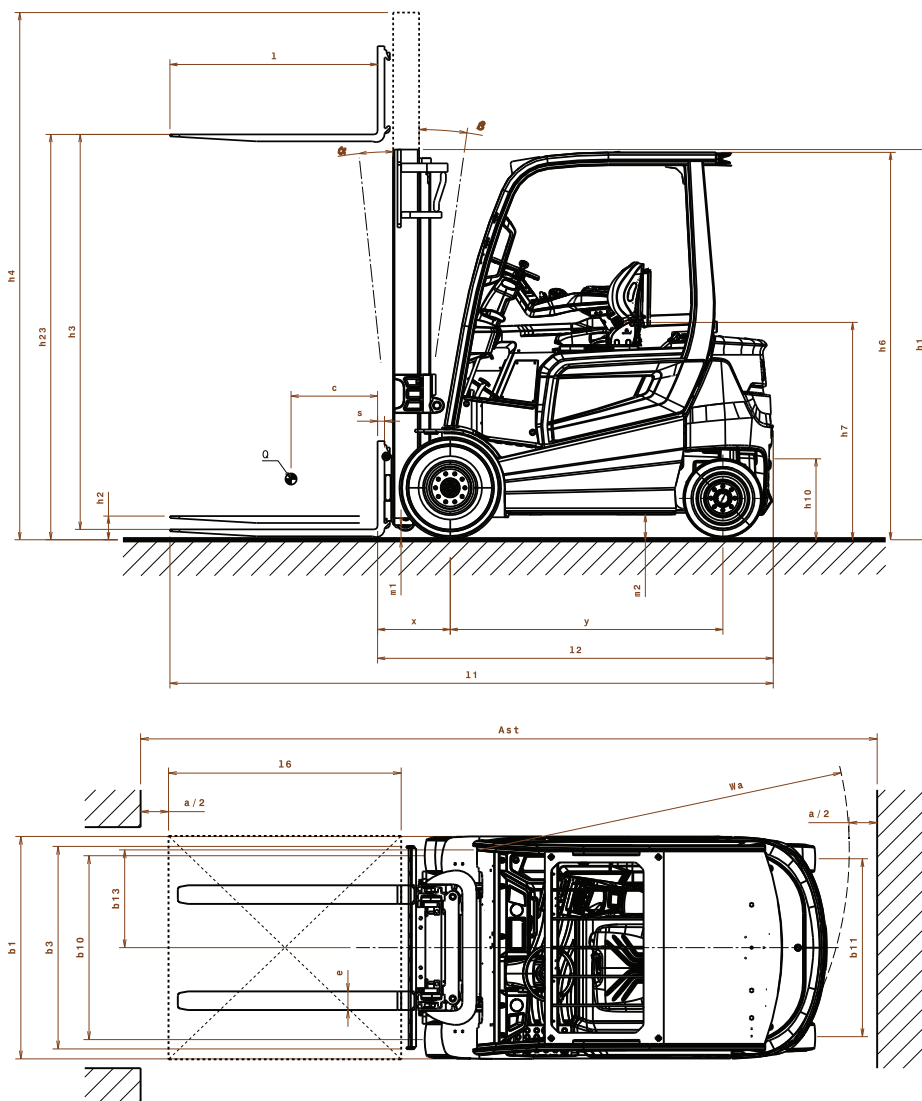
Truck Specifications

CHARACTERISTICS							
1.1	Manufacturer		CESAB	CESAB	CESAB	CESAB	
1.2	Model designation		B620-II	B625-II	B625L-II	B625HL-II	
1.3	Power unit		Electric	Electric	Electric	Electric	
1.4	Operation		Driver seated	Driver seated	Driver seated	Driver seated	
1.5	Load capacity	Q	[t]	2,0	2,5	2,5	
1.6	Load centre distance	c	[mm]	500	500	500	600
1.8	Load distance, centre of drive axle to fork face	x	[mm]	420	420	420	433
1.9	Wheelbase	y	[mm]	1575	1575	1735	1735
WEIGHT							
2.1	Service weight (battery included)		[kg]	4318	4736	5087	5302
2.2	Axle load, with load, front/rear		[kg]	5295/1024	6235/1001	6298/1290	6706/1096
2.3	Axle load, without load, front/rear		[kg]	2126/2192	2275/2462	2472/2615	2717/2585
WHEELS AND TYRES							
3.1	Tyres: P=Pneumatic, SE=Superelastic, C=Cushion, G=Twin tyre			SE	SE	SE	SE
3.2	Tyre size front			23x9-10	23x9-10	23x9-10	23x10-12
3.3	Tyre size rear			18x7-8	18x7-8	18x7-8	18x7-8
3.5	Wheels, number front/rear (x = driven)			2x/2	2x/2	2x/2	2x/2
3.6	Track width front	b10	[mm]	986	986	986	946
3.7	Track width, rear	b11	[mm]	940	940	940	940
DIMENSIONS							
4.1	Mast/fork tilt forward/backward	α/β	[°]	4,25/8	4,25/8	4,25/8	4,25/8
4.2	Height, mast lowered	h_1	[mm]	2235	2235	2235	2355
4.3	Free lift	h_2	[mm]	120	120	120	125
4.4	Lift	h_3	[mm]	3300	3300	3300	3300
	Lift height	h_{23}	[mm]	3345	3345	3345	3345
4.5	Height, mast extended	h_4	[mm]	3979	3979	3979	3950
4.7	Height of overhead guard (cab)	h_6	[mm]	2215	2215	2215	2215
4.8	Seat height	h_7	[mm]	1230	1230	1230	1230
4.12	Coupling height	h_{10}	[mm]	460	460	460	460
4.19	Overall length	l_1	[mm]	3280	3280	3440	3653
4.20	Length to face of forks	l_2	[mm]	2280	2280	2440	2453
4.21	Overall width	b_1	[mm]	1195	1195	1195	1195
4.22	Fork dimensions	s/e/l	[mm]	40x100x1000	40x100x1000	40x100x1000	45x100x1200
4.23	Fork carriage DIN 15 173, class/type A, B			II-A	II-A	II-A	II-A
4.24	Fork carriage width	b_3	[mm]	1070	1070	1070	1070
4.31	Ground clearance, with load, below mast	m_1	[mm]	95	95	95	95
4.32	Ground clearance, centre of wheelbase	m_2	[mm]	132	132	132	132
4.33	Aisle width, pallets 1000x1200 crossways	A_{st}	[mm]	3646	3646	3796	3809
4.34	Aisle width, pallets 800x1200 lengthways	A_{st}	[mm]	3845	3845	3995	4008
4.35	Turning radius	W_a	[mm]	2025	2025	2175	2175
4.36	Internal turning radius	b_{13}	[mm]	529	529	545	545
PERFORMANCE							
5.1	Travel speed, with/without load, standard/high speed		[km/h]	16/16-19/20	16/16-19/20	16/16-19/20	16/16-19/20
5.2	Lift speed, with/without load, standard/high speed		[m/s]	0,43/0,60 - 0,46/0,63	0,38/0,60 - 0,46/0,63	0,38/0,60 - 0,46/0,63	n.a. - 0,40/0,55
5.3	Lowering speed, with/without load		[m/s]	0,56/0,45	0,56/0,45	0,56/0,45	0,56/0,45
5.5	Drawbar pull, with/without load, standard/high speed		[N]	8000-10000	8000-10000	8000-10000	8000-10000
5.6	Max. drawbar pull, with/without load, standard/high speed		[N]	18000-20000	18000-20000	18000-20000	18000-20000
5.7	Gradeability, with without load, standard/high speed		[%]	16/26-23/29	14/24-20/29	13/21-19/29	13/20-18/29
5.8	Max. gradeability, with/without load, standard/high speed		[%]	26/29-31/29	20/29-25/29	20/29-25/29	20/29-25/29
5.9	Acceleration time, with/without load, standard/high speed		[s]	4,8/4,5-4,4/4,2	5,0/4,7-4,5/4,2	5,0/4,7-4,6/4,2	5,0/4,7-4,6/4,2
5.10	Service brake			mechanical/hydraulic	mechanical/hydraulic	mechanical/hydraulic	mechanical/hydraulic
ELECTRIC MOTORS							
6.1	Drive motor, rating S2 60 min., standard/high speed		[kW]	16,1-21,4	16,1-21,4	16,1-21,4	16,1-21,4
6.2	Lift motor, rating S3 15%, standard/high speed		[kW]	17,3-16,7	17,3-16,7	17,3-16,7	n.a.-16,7
6.3	Battery according to DIN 43 531/35/36, A, B, C, no			DIN 43536 A	DIN 43536 A	DIN 43536 A	DIN 43536 A
6.4	Battery voltage, nominal capacity K_s		[V/Ah]	80/500	80/560	80/700	80/700
6.5	Battery weight		[kg]	1210	1558	1863	1863
6.6	Energy consumption acc. to EN16796:2016, std./h. speed		[kWh/h]	5,8-5,4	6,3 - 5,8	6,4 - 5,9	n.a. - 6,3
OTHERS							
8.1	Type of drive control			AC	AC	AC	AC
8.2	Operating pressure for attachments		[bar]	160	160	160	160
8.3	Oil flow for attachments		[l/min]	40	40	40	40
8.4	Sound level at driver's ear acc. To EN 12 053		[dB(A)]	64,9	64,9	64,9	64,9

Note: unless otherwise specified, all data refer to vehicles with SE tyres. All performance figures refer to fully run-in vehicles, in perfect working status with homologated tyres mix. Truck performance and dimensions are nominal and subject to tolerances.

CESAB B620 - B625HL

Dimensional Drawings



The data in this specification sheet was determined based on our standard testing conditions. Operating performance may vary depending on the actual specification and condition of the truck as well as the condition of the operating area. Availability and specifications are determined regionally and are subject to change without notice. Please consult your authorised CESAB dealership for further details.

Mast Specifications

	Duplex NFL (IMD)	Duplex FFL (Std.)*	Duplex FFL (IMD)	Triplex FFL (Std.)*	Triplex FFL (IMD)
B620 - B625(L) (LC 500)	h ₂₃ Lift height	3040 3340 3740 4040 4540	3040 3340 3740 4040	3040 3340 3740 4040 4340 4740 5040 5540 6040 6540 4340 4740 5040 5540 6040 6540	3040 3340 3740 4040 4540 5000 5500 6000 6500 4300 4700 5000 5500 6000 6500
	h ₃ Lift	3000 3300 3700 4000 4500	3000 3300 3700 4000	3000 3300 3700 4000 4300 4700 5000 5500 6000 6500 4300 4700 5000 5500 6000 6500	3000 3300 3700 4000 4500 5000 5500 6000 6500 4300 4700 5000 5500 6000 6500
	h ₁ Height, mast lowered	2135 2235 2585 2835 3085	2135 2235 2585 2835	2105 2235 2505 2655 2135 2235 2395 2585 2835 3085 2105 2205 2305 2505 2655 2855	2135 2235 2395 2585 2835 3085 2105 2205 2305 2505 2655 2855
	h ₄ Height, mast extended ¹⁾	3679 3679 4395 4795 5295	3674 3974 4374 4674	3605 3905 4305 4605 4974 5374 5674 6174 6674 7174 4955 5305 5605 6105 6605 7105	3679 3679 4395 4795 5295 3674 3974 4374 4674 3605 3905 4305 4605 4974 5374 5674 6174 6674 7174 4955 5305 5605 6105 6605 7105
	h ₄ Height, mast extended ²⁾	4220 4520 4920 5220 5720	4289 4589 4989 5289	4220 4520 4920 5220 5589 5989 6289 6789 7289 7789 5570 5920 6220 6720 7220 7720	4220 4520 4920 5220 5589 5989 6289 6789 7289 7789 5570 5920 6220 6720 7220 7720
	h ₂ Free lift ¹⁾	120 120 120 120 120	1501 1601 1951 2201	1500 1630 1900 2050 1461 1561 1721 1911 2161 2411 1500 1600 1700 1900 2050 2250	120 120 120 120 120 1501 1601 1951 2201 1500 1630 1900 2050 1461 1561 1721 1911 2161 2411 1500 1600 1700 1900 2050 2250
	h ₂ Free lift ²⁾	120 120 120 120 120	886 986 1336 1586	925 1055 1325 1475 886 986 1146 1336 1586 1836 925 1025 1125 1325 1475 1675	120 120 120 120 120 886 986 1336 1586 925 1055 1325 1475 886 986 1146 1336 1586 1836 925 1025 1125 1325 1475 1675
a/β Tilt, forward/backward	4,25/8,0	4,25/8,0	4,25/8,0	4,25/6,0	4,25/6,0
B625HL (LC 600)	h ₂₃ Lift height	3045 3345 3745 4045 4545	3045 3345 3745 4045	3045 3345 3745 4045 4345 4735 5045 5545 6045 6545 4395 4745 5045 5545 6045 6545	3045 3345 3745 4045 4545 5000 5500 6000 6500 4350 4700 5000 5500 6000 6500
	h ₃ Lift	3000 3300 3700 4000 4500	3000 3300 3700 4000	3000 3300 3700 4000 4300 4690 5000 5500 6000 6500 4350 4700 5000 5500 6000 6500	3000 3300 3700 4000 4500 5000 5500 6000 6500 4350 4700 5000 5500 6000 6500
	h ₁ Height, mast lowered	2205 2355 2555 2755 3055	2135 2255 2585 2835	2205 2355 2550 2755 2135 2235 2395 2585 2835 3085 2205 2305 2405 2555 2755 2955	2205 2355 2555 2755 3055 2135 2255 2585 2835 2205 2355 2550 2755 2135 2235 2395 2585 2835 3085 2205 2305 2405 2555 2755 2955
	h ₄ Height, mast extended ¹⁾	3650 3950 4350 4715 5265	3730 4030 4430 4730	3655 3955 4355 4655 4930 5320 5630 6130 6630 7130 5000 5350 5650 6150 6650 7150	3650 3950 4350 4715 5265 3730 4030 4430 4730 3655 3955 4355 4655 4930 5320 5630 6130 6630 7130 5000 5350 5650 6150 6650 7150
	h ₄ Height, mast extended ²⁾	4215 4515 4915 5215 5715	4295 4595 4995 5295	4220 4520 4920 5220 5495 5885 6195 6695 7195 7695 5565 5915 6215 6715 7215 7715	4215 4515 4915 5215 5715 4295 4595 4995 5295 4220 4520 4920 5220 5495 5885 6195 6695 7195 7695 5565 5915 6215 6715 7215 7715
	h ₂ Free lift ¹⁾	125 125 125 125 125	1405 1525 1855 2105	1565 1715 1915 2115 1505 1605 1795 1955 2205 2455 1555 1655 1755 1905 2105 2305	125 125 125 125 125 1405 1525 1855 2105 1565 1715 1915 2115 1505 1605 1795 1955 2205 2455 1555 1655 1755 1905 2105 2305
	h ₂ Free lift ²⁾	125 125 125 125 125	885 1005 1335 1585	1030 1180 1380 1580 985 1085 1245 1435 1685 1935 1035 1135 1235 1385 1585 1785	125 125 125 125 125 885 1005 1335 1585 1030 1180 1380 1580 985 1085 1245 1435 1685 1935 1035 1135 1235 1385 1585 1785
a/β Tilt, forward/backward	4,25/8,0	4,25/8,0	4,25/8,0	4,25/6,0	4,25/6,0

*) Standard with central free lift cylinder
 1) without load backrest
 2) with std. load backrest 1220 mm

CESAB B630 – B635

Truck Specifications

CHARACTERISTICS							
1.1	Manufacturer		CESAB	CESAB	CESAB	CESAB	
1.2	Model designation		B630-II	B630L-II	B630HL-II	B635-II	
1.3	Power unit		Electric	Electric	Electric	Electric	
1.4	Operation		Driver seated	Driver seated	Driver seated	Driver seated	
1.5	Load capacity	Q	[t]	3,0	3,0	3,0	3,5
1.6	Load centre distance	c	[mm]	500	500	600	500
1.8	Load distance, centre of drive axle to fork face	x	[mm]	440	440	433	440
1.9	Wheelbase	y	[mm]	1575	1735	1735	1735
WEIGHT							
2.1	Service weight (battery included)		[kg]	5335	5365	5651	5721
2.2	Axle load, with load, front/rear		[kg]	7287/1048	7340/1025	7491/1160	8106/1115
2.3	Axle load, without load, front/rear		[kg]	2496/2839	2630/2626	2705/2946	2709/3012
WHEELS AND TYRES							
3.1	Tyres: P=Pneumatic, SE=Superelastic, C=Cushion, G=Twin tyre			SE	SE	SE	SE
3.2	Tyre size front			23x10-12	23x10-12	23x10-12	315/45-12
3.3	Tyre size rear			18x7-8	18x7-8	200/50-10	200/50-10
3.5	Wheels, number front/rear (x = driven)			2x/2	2x/2	2x/2	2x/2
3.6	Track width front	b10	[mm]	946	946	946	1009
3.7	Track width, rear	b11	[mm]	940	940	962	962
DIMENSIONS							
4.1	Mast/fork tilt forward/backward	α/β	[°]	4,25/8	4,25/8	4,25/8	4,25/8
4.2	Height, mast lowered	h_1	[mm]	2395	2395	2355	2395
4.3	Free lift	h_2	[mm]	125	125	125	125
4.4	Lift	h_3	[mm]	3300	3300	3300	3300
	Lift height	h_{23}	[mm]	3345	3345	3345	3345
4.5	Height, mast extended	h_4	[mm]	4035	4035	3950	4035
4.7	Height of overhead guard (cab)	h_6	[mm]	2215	2215	2215	2215
4.8	Seat height	h_7	[mm]	1230	1230	1230	1230
4.12	Coupling height	h_{10}	[mm]	460	460	460	460
4.19	Overall length	l_1	[mm]	3328	3460	3681	3488
4.20	Length to face of forks	l_2	[mm]	2328	2460	2481	2488
4.21	Overall width	b_1	[mm]	1195	1195	1195	1299
4.22	Fork dimensions	s/e/l	[mm]	45x100x1000	45x100x1000	45x125x 1200	45x125x1000
4.23	Fork carriage DIN 15 173, class/type A, B			III-A	III-A	III-A	III-A
4.24	Fork carriage width	b_3	[mm]	1070	1070	1070	1070
4.31	Ground clearance, with load, below mast	m_1	[mm]	95	95	95	95
4.32	Ground clearance, centre of wheelbase	m_2	[mm]	132	132	132	132
4.33	Aisle width, pallets 1000x1200 crossways	A_{st}	[mm]	3679	3816	3834	3841
4.34	Aisle width, pallets 800x1200 lengthways	A_{st}	[mm]	3878	4015	4033	4040
4.35	Turning radius	W_a	[mm]	2038	2175	2200	2200
4.36	Internal turning radius	b_{13}	[mm]	529	545	545	545
PERFORMANCE							
5.1	Travel speed, with/without load, standard/high speed		[km/h]	16/16-19/20	16/16-19/20	16/16-19/20	16/16-19/20
5.2	Lift speed, with/without load, standard/high speed		[m/s]	0,34/0,52 - 0,40/0,55	0,34/0,52 - 0,40/0,55	n.a. - 0,40/0,55	n.a. - 0,37/0,55
5.3	Lowering speed, with/without load		[m/s]	0,56/0,45	0,56/0,45	0,56/0,45	0,56/0,45
5.5	Drawbar pull, with/without load, standard/high speed		[N]	8000-10000	8000-10000	8000-10000	8000-10000
5.6	Max. drawbar pull, with/without load, standard/high speed		[N]	18000-20000	18000-20000	18000-20000	18000-20000
5.7	Gradeability, with without load, standard/high speed		[%]	12/20 - 17/29	12/20 - 17/29	11/19 - 16/27	10/18 - 15/26
5.8	Max. gradeability, with/without load, standard/high speed		[%]	19/29 - 23/29	19/29 - 23/29	18/29 - 23/29	17/29-20/29
5.9	Acceleration time, with/without load, standard/high speed		[s]	5,2/4,8 - 4,7/4,2	5,2/4,8 - 4,8/4,2	5,3/4,9 - 4,8/4,3	5,3/5,0 - 4,9/4,3
5.10	Service brake			mechanical/hydraulic	mechanical/hydraulic	mechanical/hydraulic	mechanical/hydraulic
ELECTRIC MOTORS							
6.1	Drive motor, rating S2 60 min., standard/high speed		[kW]	16,1-21,4	16,1-21,4	n.a. - 21,4	n.a. - 21,4
6.2	Lift motor, rating S3 15%, standard/high speed		[kW]	17,3-16,7	17,3-16,7	n.a. - 16,7	n.a. - 16,7
6.3	Battery according to DIN 43 531/35/36, A, B, C, no			DIN 43536 A	DIN 43536 A	DIN 43536 A	DIN 43536 A
6.4	Battery voltage, nominal capacity K_s		[V/Ah]	80/560	80/700	80/700	80/700
6.5	Battery weight		[kg]	1558	1863	1863	1863
6.6	Energy consumption acc. to EN16796:2016, std./h. speed		[kWh/h]	7,2 - 6,7	7,2 - 6,7	n.a. - 7,2	n.a. - 7,6
OTHERS							
8.1	Type of drive control			AC	AC	AC	AC
8.2	Operating pressure for attachments		[bar]	160	160	160	160
8.3	Oil flow for attachments		[l/min]	40	40	40	40
8.4	Sound level at driver's ear acc. To EN 12 053		[dB(A)]	64,9	64,9	64,9	64,9

Note: unless otherwise specified, all data refer to vehicles with SE tyres. All performance figures refer to fully run-in vehicles, in perfect working status with homologated tyres mix. Truck performance and dimensions are nominal and subject to tolerances.

CESAB B640 – B650 (2014 model)

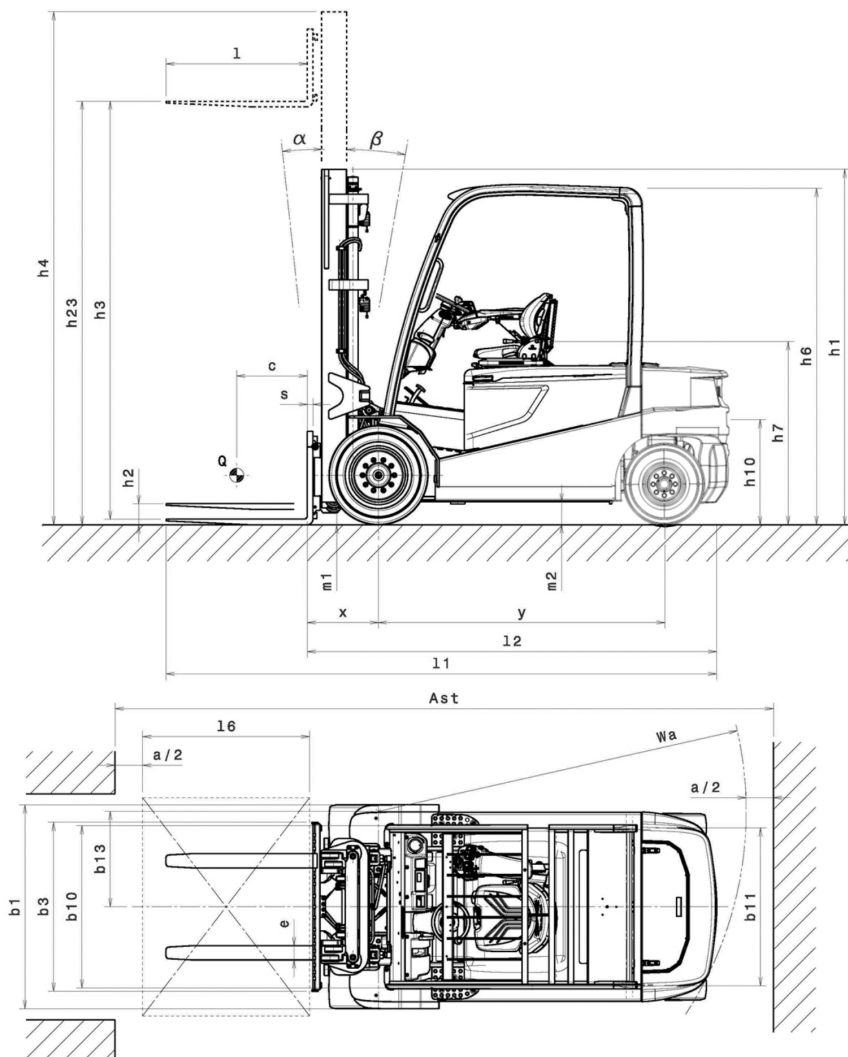
Truck Specifications

CHARACTERISTICS						
1.1	Manufacturer		CESAB	CESAB	CESAB	
1.2	Model designation		B640	B645	B650	
1.3	Power unit		Electric	Electric	Electric	
1.4	Operation		Driver seated	Driver seated	Driver seated	
1.5	Load capacity	Q	[t]	4,0	4,5	5,0
1.6	Load centre distance	c	[mm]	500	500	600
1.8	Load distance, centre of drive axle to fork face	x	[mm]	522	522	532
1.9	Wheelbase	y	[mm]	2030	2030	2030
WEIGHT						
2.1	Service weight (battery included)		[kg]	6546	7086	7738
2.2	Axle load, with load, front/rear		[kg]	9569/1078	10284/1304	11347/1392
2.3	Axle load, without load, front/rear		[kg]	3554/3092	3517/3570	3557/4181
WHEELS AND TYRES						
3.1	Tyres: P=Pneumatic, SE=Superelastic, C=Cushion, G=Twin tyre			SE	SE	SE
3.2	Tyre size front			250-15	250-15	28x12.5-15
3.3	Tyre size rear			23x9-10	23x9-10	23x9-10
3.5	Wheels, number front/rear (x = driven)			2x/2	2x/2	2x/2
3.6	Track width front	b10	[mm]	1119	1119	1145
3.7	Track width, rear	b11	[mm]	1113	1113	1113
DIMENSIONS						
4.1	Mast/fork tilt forward/backward	α/β	[°]	5/10	5/10	5/10
4.2	Height, mast lowered	h_1	[mm]	2500	2500	2500
4.3	Free lift	h_2	[mm]	80	80	80
4.4	Lift	h_3	[mm]	3300	3300	3300
	Lift height	h_{23}	[mm]	3350	3350	3360
4.5	Height, mast extended	h_4	[mm]	4156	4156	4156
4.7	Height of overhead guard (cab)	h_6	[mm]	2360	2360	2360
4.8	Seat height	h_7	[mm]	1277	1277	1277
4.12	Coupling height	h_{10}	[mm]	720	720	720
4.19	Overall length	l_1	[mm]	4092	4117	4227
4.20	Length to face of forks	l_2	[mm]	2892	2917	3027
4.21	Overall width	b_1	[mm]	1345	1345	1440
4.22	Fork dimensions	s/e/l	[mm]	50x150x1200	50x150x1200	60x150x1200
4.23	Fork carriage DIN 15 173, class/type A, B			III-A	III-A	III-A
4.24	Fork carriage width	b_3	[mm]	1170	1170	1170
4.31	Ground clearance, with load, below mast	m_1	[mm]	150	150	150
4.32	Ground clearance, centre of wheelbase	m_2	[mm]	145	145	145
4.33	Aisle width, pallets 1000x1200 crossways	A_{st}	[mm]	4311	4331	4433
4.34	Aisle width, pallets 800x1200 lengthways	A_{st}	[mm]	4511	4531	4633
4.35	Turning radius	W_a	[mm]	2589	2609	2701
4.36	Internal turning radius	b_{13}	[mm]	685	685	685
PERFORMANCE						
5.1	Travel speed, with/without load, standard/high speed		[km/h]	17,5 / 17,5	17,5 / 17,5	17,5 / 17,5
5.2	Lift speed, with/without load, standard/high speed		[m/s]	0,33/0,47	0,33/0,47	0,31 / 0,44
5.3	Lowering speed, with/without load		[m/s]	0,55/0,46	0,55/0,46	0,55/0,45
5.5	Drawbar pull, with/without load, standard/high speed		[N]	12420	12420	12420
5.6	Max. drawbar pull, with/without load, standard/high speed		[N]	22000	22000	22000
5.7	Gradeability, with without load, standard/high speed		[%]	11,3/17,0	9,5/16,8	8,8/15,8
5.8	Max. gradeability, with/without load, standard/high speed		[%]	15/25	14/24	13/23
5.9	Acceleration time, with/without load, standard/high speed		[s]	5,4/4,8	5,5/4,8	5,6/4,9
5.10	Service brake			mechanical/ hydraulic	mechanical/ hydraulic	mechanical/ hydraulic
ELECTRIC MOTORS						
6.1	Drive motor, rating S2 60 min., standard/high speed		[kW]	25,2	25,2	25,2
6.2	Lift motor, rating S3 15%, standard/high speed		[kW]	25,5	25,5	25,5
6.3	Battery according to DIN 43 531/35/36, A, B, C, no			DIN 43536	DIN 43536	DIN 43536
6.4	Battery voltage, nominal capacity K_s		[V/Ah]	80/840	80/840	80/840
6.5	Battery weight		[kg]	2178	2178	2178
6.6	Energy consumption acc. to EN16796:2016, std./h. speed		[kWh/h]			
OTHERS						
8.1	Type of drive control			AC	AC	AC
8.2	Operating pressure for attachments		[bar]	adjustable 160 - 180	adjustable 160 - 180	adjustable 160 - 180
8.3	Oil flow for attachments		[l/min]	70	70	70
8.4	Sound level at driver's ear acc. To EN 12 053		[dB(A)]	68	68	68

Note: unless otherwise specified, all data refer to vehicles with SE tyres. All performance figures refer to fully run-in vehicles, in perfect working status with homologated tyres mix. Truck performance and dimensions are nominal and subject to tolerances.

CESAB B640 – B650 (2014 model)

Dimensional Drawings



The data in this specification sheet was determined based on our standard testing conditions. Operating performance may vary depending on the actual specification and condition of the truck as well as the condition of the operating area. Availability and specifications are determined regionally and are subject to change without notice. Please consult your authorised CESAB dealership for further details.

Mast Specifications

		Duplex NFL (IMD)							Duplex FFL (IMD)				Triplex FFL (IMD)						
B640 – B645	h ₂₃	Lift height	3050	3350	3750	4050	4550	5050	5550	3050	3350	3750	4050	4450	4750	5050	5550	6050	6550
	h ₃	Lift	3000	3300	3700	4000	4500	5000	5500	3000	3300	3700	4000	4400	4700	5000	5500	6000	6500
	h ₁	Height, mast lowered	2360	2500	2750	2880	3130	3380	3630	2360	2500	2750	2880	2360	2440	2500	2750	2880	3130
	h ₄	Height, mast extended ¹⁾	3856	4156	4556	4856	5356	5856	6356	3890	4190	4590	4890	5290	5590	5890	6390	6890	7390
	h ₂	Free lift ¹⁾	80	80	80	80	80	80	80	1470	1610	1860	1990	1470	1550	1610	1860	1990	2240
a/β	Tilt, forward/backward	5/10	5/10	5/10	5/10	5/6	5/6	5/6	5/6				5/6						
B650	h ₂₃	Lift height	3060	3360	3760	4060	4560	5060	5560	2860	3360	3760	4060	4360	4760	5060	5560	6060	6560
	h ₃	Lift	3000	3300	3700	4000	4500	5000	5500	2800	3300	3700	4000	4300	4700	5000	5500	6000	6500
	h ₁	Height, mast lowered	2360	2500	2750	2880	3130	3380	3630	2360	2630	2880	3130	2360	2500	2630	2880	3130	3380
	h ₄	Height, mast extended ¹⁾	3856	4156	4556	4856	5356	5856	6356	3690	4190	4590	4890	5190	5590	5890	6390	6890	7390
	h ₂	Free lift ¹⁾	80	80	80	80	80	80	80	1470	1740	1990	2240	1470	1610	1740	1990	2240	2490
a/β	Tilt, forward/backward	5/10	5/10	5/10	5/10	5/6	5/6	5/6	5/6				5/6						

¹⁾ without load backrest



www.cesab-forklifts.eu



Your authorised CESAB dealer



Pictures may show optional equipment and accessories not included in the standard execution of the truck.

The data in this specification sheet was determined based on our standard testing conditions. Operating performance may vary depending on the actual specification and condition of the truck as well as the condition of the operating area.

Availability and specifications are determined regionally and are subject to change without notice. Please consult your authorised CESAB dealership for further details.
SPEC_B600_EN_202110 / Ucan V05 – Copyright CESAB Material Handling Europe.

